



FRIGIDAIRE

Factory Parts Catalog

Product No.	FGHC2331PFCA
Series	
Color	stainless
Volts	115
Wiring Diagram	242288401
Owner's Guide	A00535104
Market	North America
Energy Guide	807332425
Service Data Sheet	A01461101

Frigidaire

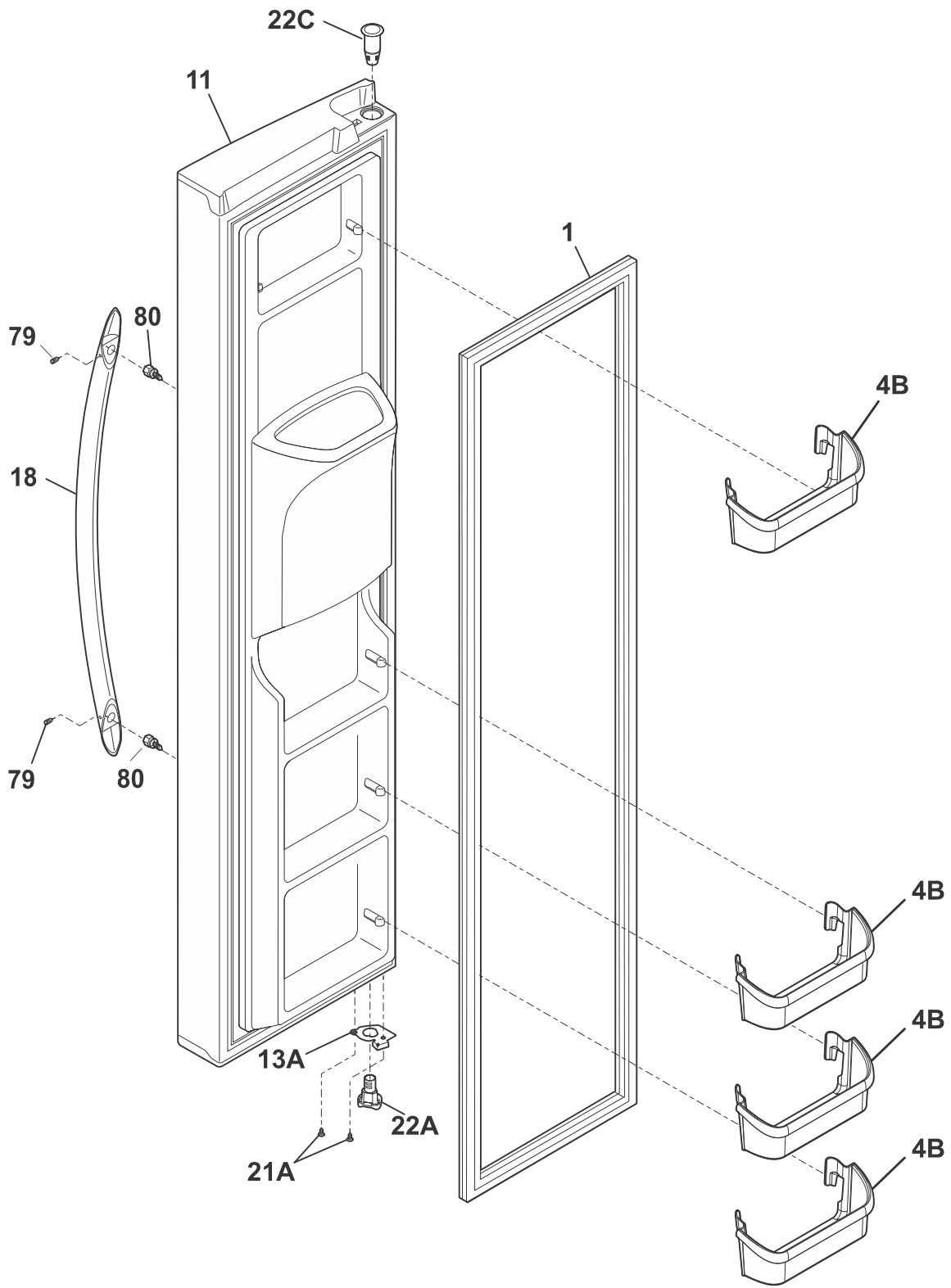
P.O. BOX 8020
CHARLOTTE, NC 28262

Publication No.
5995683165
17/01/11
(EN/SERVICE/CW)
137

SIDE-BY-SIDE REFRIGERATOR

Model No.
FGHC2331P

FREEZER DOOR

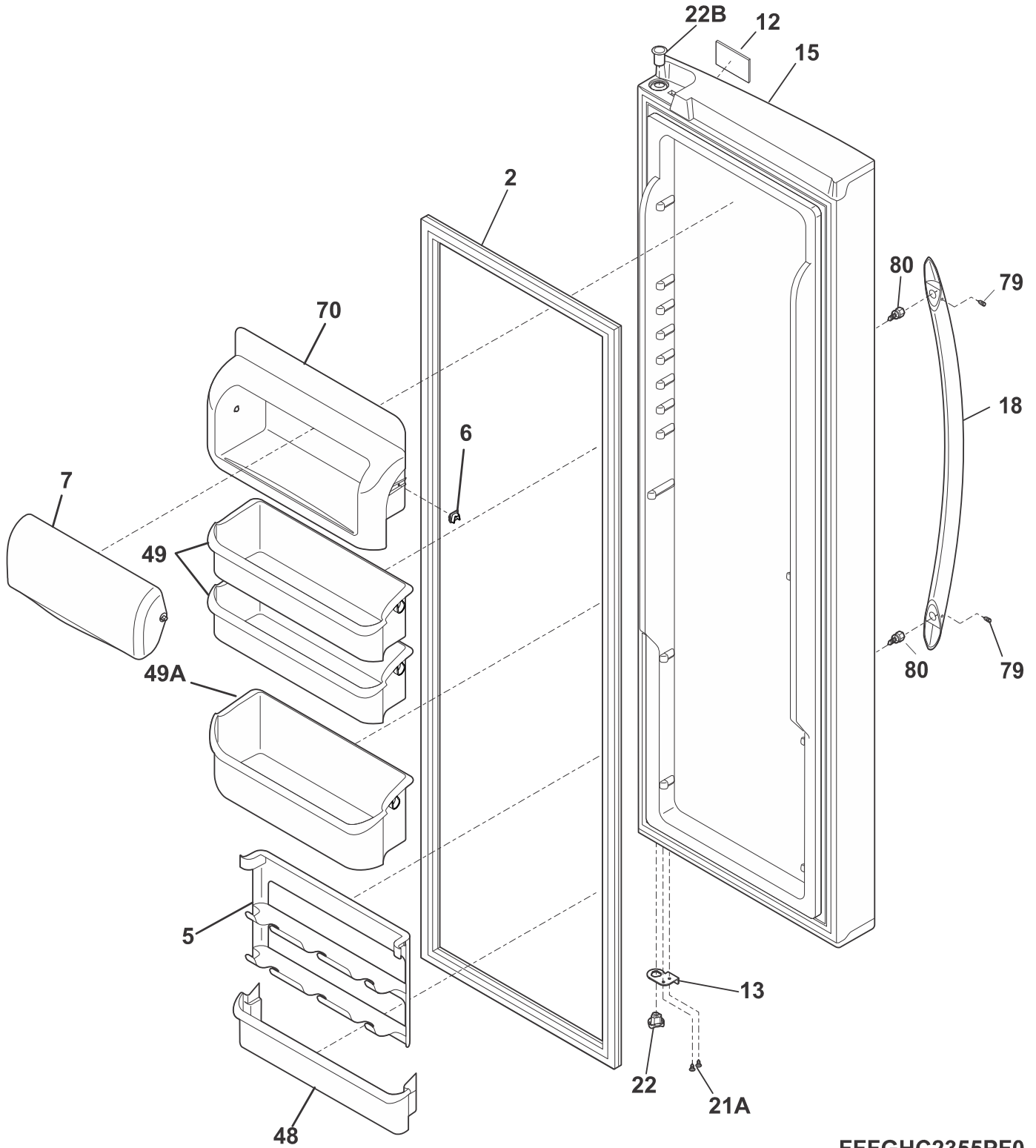


FDGHC2355PF0

FREEZER DOOR

POS. NO	PART NO.	DESCRIPTION
1 #	241510206	Gasket-frzr door, gray, magnetic
11	241993832	Door-frzr, stainless, complete assy
4B	241511601	Bin-door
13A	241990202	Door Stop, black, frzr
18	241930101	Handle-door, stainless
18*	241601002	Wrench, allen
21A	240442706	Screw-#10-32 X 3/4, zinc
22A	241990302	Bearing-hinge(frz), closer
22C	241760402	Bearing, hinge, top
79	218755408	Screw-set, 10-32 x 0.375
80	218755504	Screw, shoulder, #10-AB, handle mounting
* #	240451503	Screw, ind hex wshr hd, 8-32 x 0.375, trilobe
* #	242103001	Connector-water, straight, 5/16 to 5/16
* #	242288101	Harness, wiring, door
* #	5303918371	Dispenser Heater Kit, 115, single paddle

REFRIGERATOR DOOR

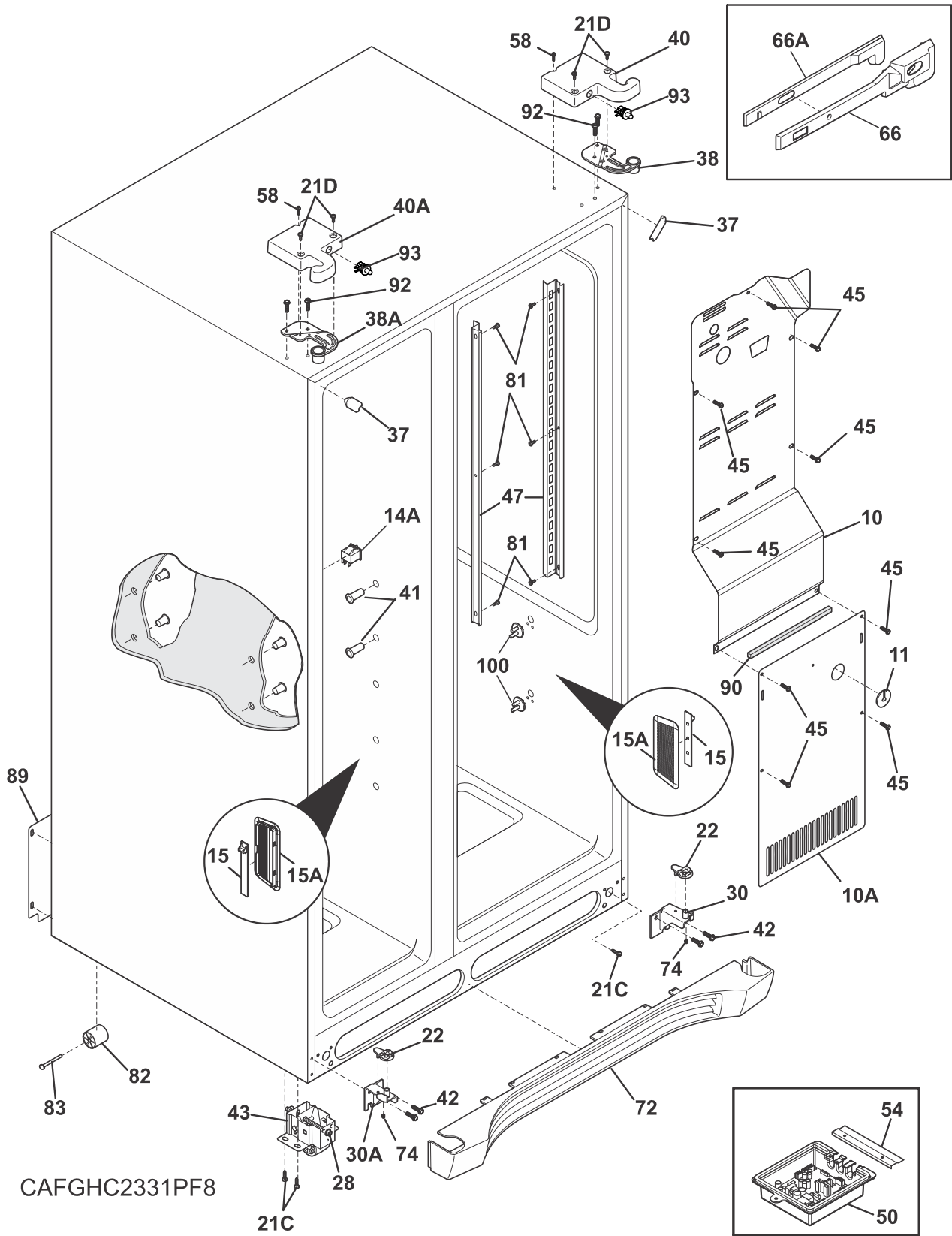


FFFGHC2355PF0

REFRIGERATOR DOOR

POS. NO	PART NO.	DESCRIPTION
2 #	241510205	Gasket-refr door, gray, magnetic
5	241516102	Rack-can
6	241515901	Lug-dairy compartment
7	241515601	Door-dairy
15	242178111	Door-refr, stainless, complete
12	242015201	Label-nameplate
13	241990201	Door Stop, black, ref
18	241930101	Handle-door, stainless
18*	241601002	Wrench, allen
21A	240442706	Screw-#10-32 X 3/4, zinc
22	241990301	Bearing-hinge, gray
22B	241760404	Bearing, hinge, top
48	241808207	Bin-door, ref, w/trim
49	241808213	Bin-door, 2 liter
49A	241808210	Bin-door, gallon, w/trim
70	241515801	Compartment-dairy, removable
79	218755408	Screw-set, 10-32 x 0.375
80	218755504	Screw, shoulder, #10-AB, handle mounting

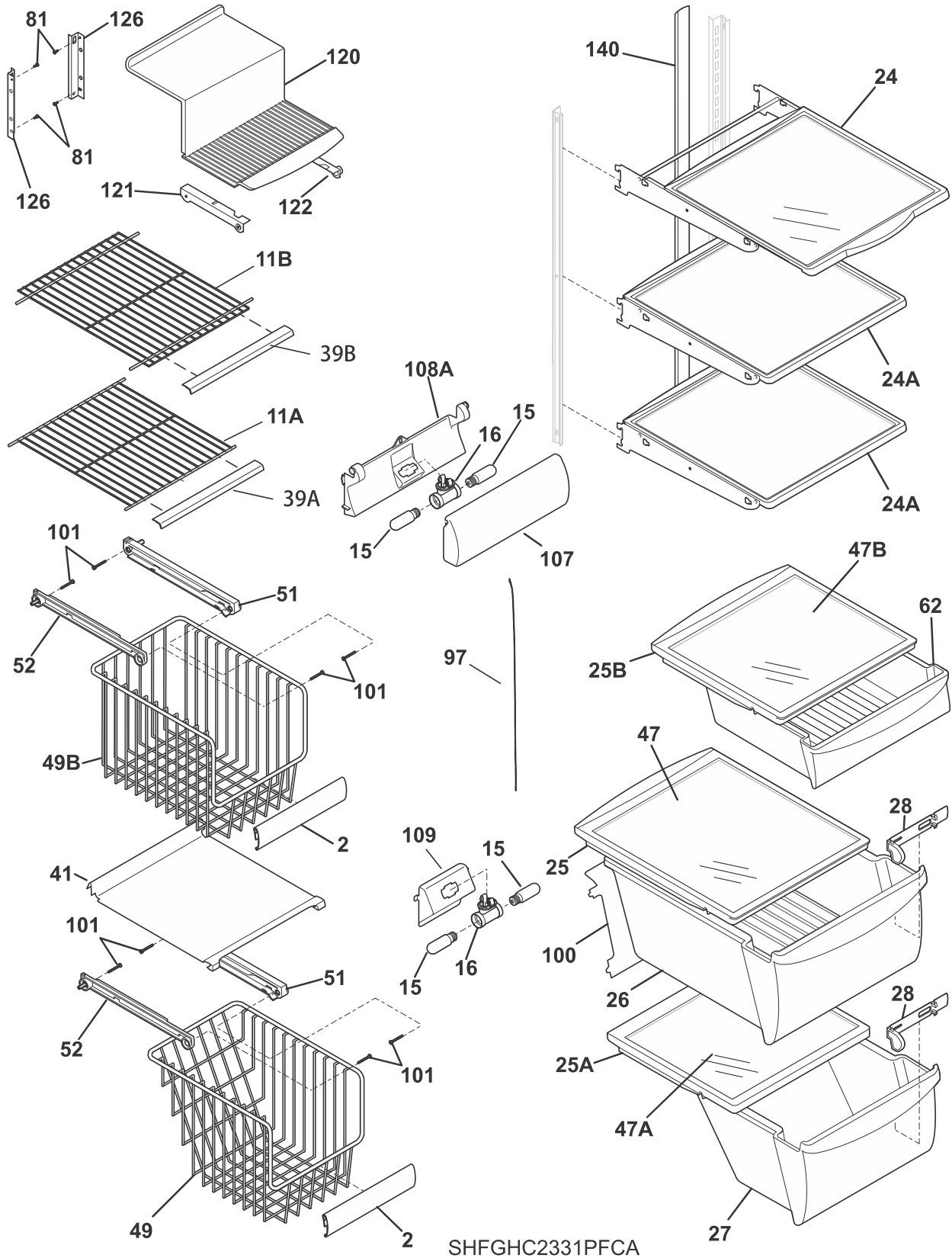
CABINET



CABINET

POS. NO	PART NO.	DESCRIPTION
10	241509804	Cover-air duct
10A	241719711	Cover-evap coil, lower
11	5303208309	Plug-hole, factory test
14A#	241547901	Switch-light/lamp, frzr door
15 #	242196201	Light Board, 3 LED cluster
21C	218252201	Screw, #8 truss hd, 10-32CA x 0.500
21D	218781101	Screw, pan head, 8-18 x 0.625
22	241917801	Plate-door closer
28	240335502	Bolt-roller adj, hex washer head, 1/4-20 x 4.020, (2), special
30	241918001	Bracket-lower hinge, w/hinge pin, RH, and screw
30A	241918004	Bracket-lower hinge, w/hinge pin, LH, and screw
37	242161206	Trim-cabinet corner, gray, (2)
38	241761301	Bracket-upper hinge, RH
38A	241761302	Bracket-upper hinge, LH
40	241946709	Cover-upper hinge, gray, RH
40*	241835801	Harness-wiring, refrigerator
40A	241946710	Cover-upper hinge, gray, LH
40A*	241891901	Harness-wiring, freezer
41	241550801	Grommet-shelf mtg, 1.40" long
41*	241550701	Grommet-shelf mtg, .96" long
42	240578902	Screw, hex head, 1/4-20 x 5/8
43	240335006	Roller Assy, front, (2)
45	241500303	Screw, hex washer head, 8-18AB x 1/2
47	241513001	Channel-shelf mtg, side, (2)
50 #	5304498781	Board-main power
50*	241852502	Clip, retainer, harness
54	241532401	Channel
58	241548003	Screw, 10-32 x 3/8
66	241861301	Housing-damper
66*	240346703	Tape-foam
66*	241781601	Seal-return air
66*	242125501	Insulator, damper
66A	241861201	Slide-damper, meat pan
72	241969405	Grille/Kickplate
74	218755402	Screw-set, 10-32 x .500 in
81	5304455650	Screw, hex washer head, 8-15A x 0.625, Low Profile
82	5304418225	Roller, compressor base, rear, (2)
83	5304455655	Rivet, flat head, 1/4 OD x 1-3/4, roller pin
89	241733902	Cover-access, w/label
90	218249808	Seal-coil cover
92	241710601	Screw, hex washer hd, 1/4 x 7/8, hinge mtg
93 #	241911705	Switch-light, grey, (2)
100	241993101	Support-crisper cvr
100*	241993001	Support-crisper cvr
*	240396801	Clamp, tube/wiring, nylon, black/natural
*	240494001	Plug-button, white, cab liner holes
*	241890604	Louver, air supply, crisper
*	242125401	Scoop, air supply, crisper

SHELVES

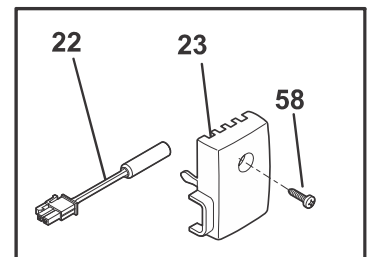
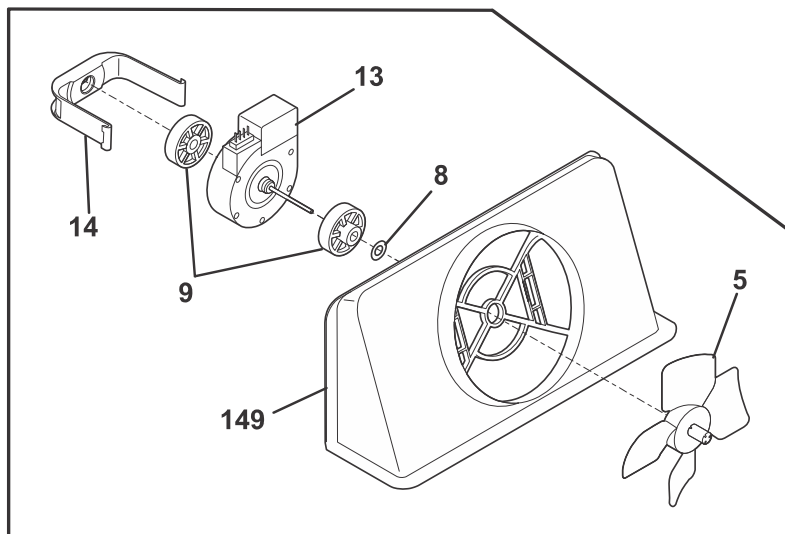
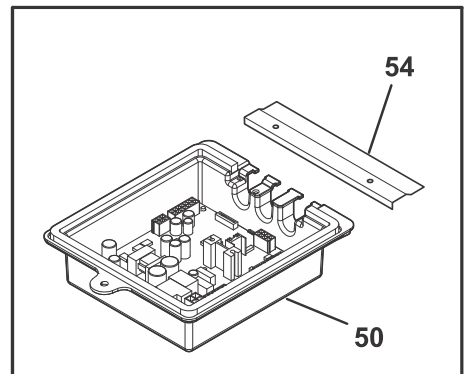
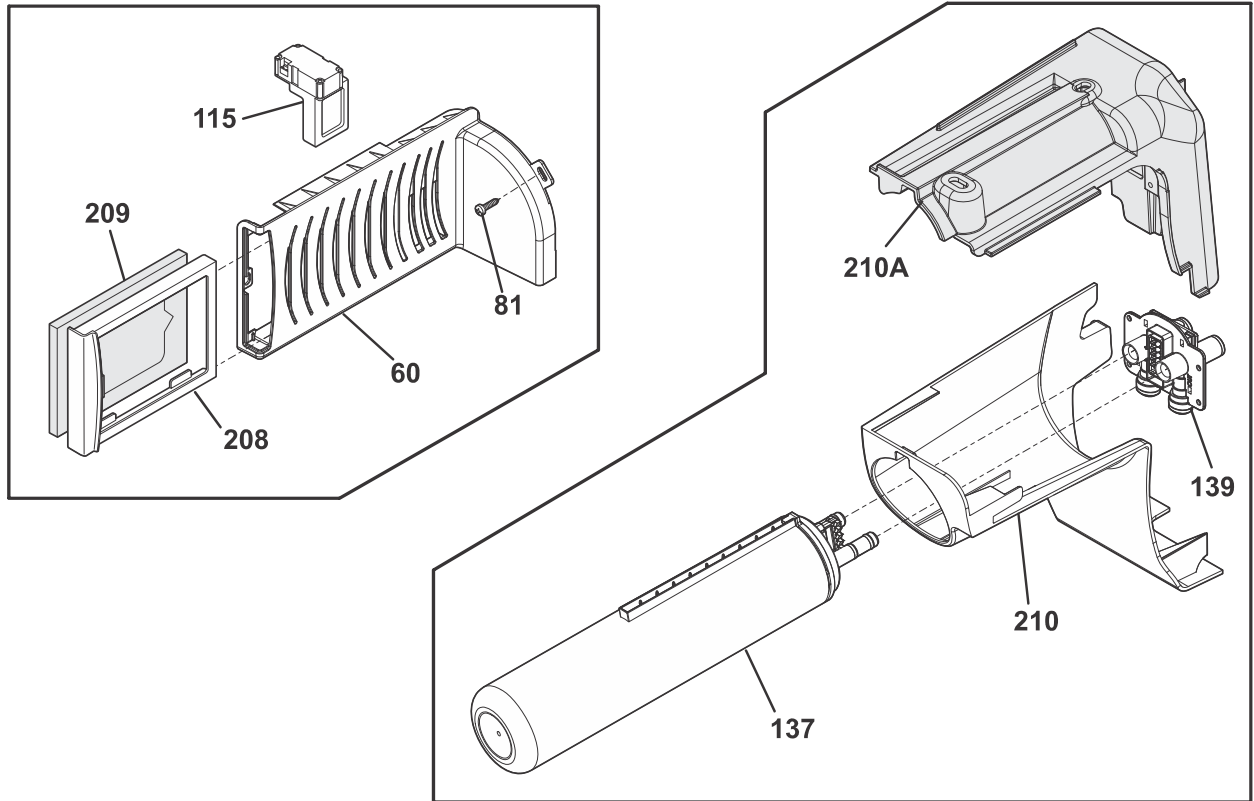


SHFGHC2331PFCA

SHELVES

POS. NO	PART NO.	DESCRIPTION
2	241510605	Trim-basket
11A	241657605	Shelf-freezer, flip-up
11B	241657506	Shelf-freezer, fixed wire
15 #	241552802	Light Bulb
16 #	241622802	Socket-light, frz light
16*#	241987601	Harness-wiring
24	240350158	Shelf-"Spill-Safe", cantilever, sliding
24A	240355278	Shelf-"Spill-Safe", fixed
25	240599301	Cover-crisper pan, upper
25A	240350903	Cover-crisper pan, lower
25B	240599803	Frame-deli cover, upper
26	240351061	Pan-crisper, upper
27	240351240	Pan-crisper, lower
28	240362201	Control-humidity
39A	240430709	Trim-shelf, 11.60", front
39B	240430710	Trim-shelf, 12.86", front
41	241637601	Baffle-air
47	240350649	Insert-pan cover, glass
47A	240350603	Insert-pan cover, glass
47B	240443391	Insert-pan cover, glass
49	241515001	Basket-sliding
49B	241514901	Basket-sliding, upper, full
51	241514501	Hanger-basket, RH
52	241514601	Hanger-basket, LH
62	241974601	Pan-meat
62*	241781601	Seal-return air
97	242220208	Tube-water inlet, .315 - 97.50", natural
97*	242200102	Clip, tubing, 90 deg elbow
100	240326304	Cover-water tank
101	218493101	Screw, hex washer head, 8-18AB x 1-3/4
107	241753601	Shield-light, upper
108A	241753701	Housing-light, upper, fresh food
109	241513202	Base-crisper light socket
120	241691701	Shelf-ice cream
121	241504701	Rail-ice cream shelf, LH
122	241504702	Rail-ice cream shelf, RH
126	241674401	Channel, auger mtg, LH
126	241674402	Channel, auger mtg, RH
140	241812502	Channel, wtr tube cover
*	240349801	Clip-slide, pan
*	240362101	Clip-slide, cover
*	241595202	Clip-slide, crisper
*	242146253	Label, energy guide

CONTROLS

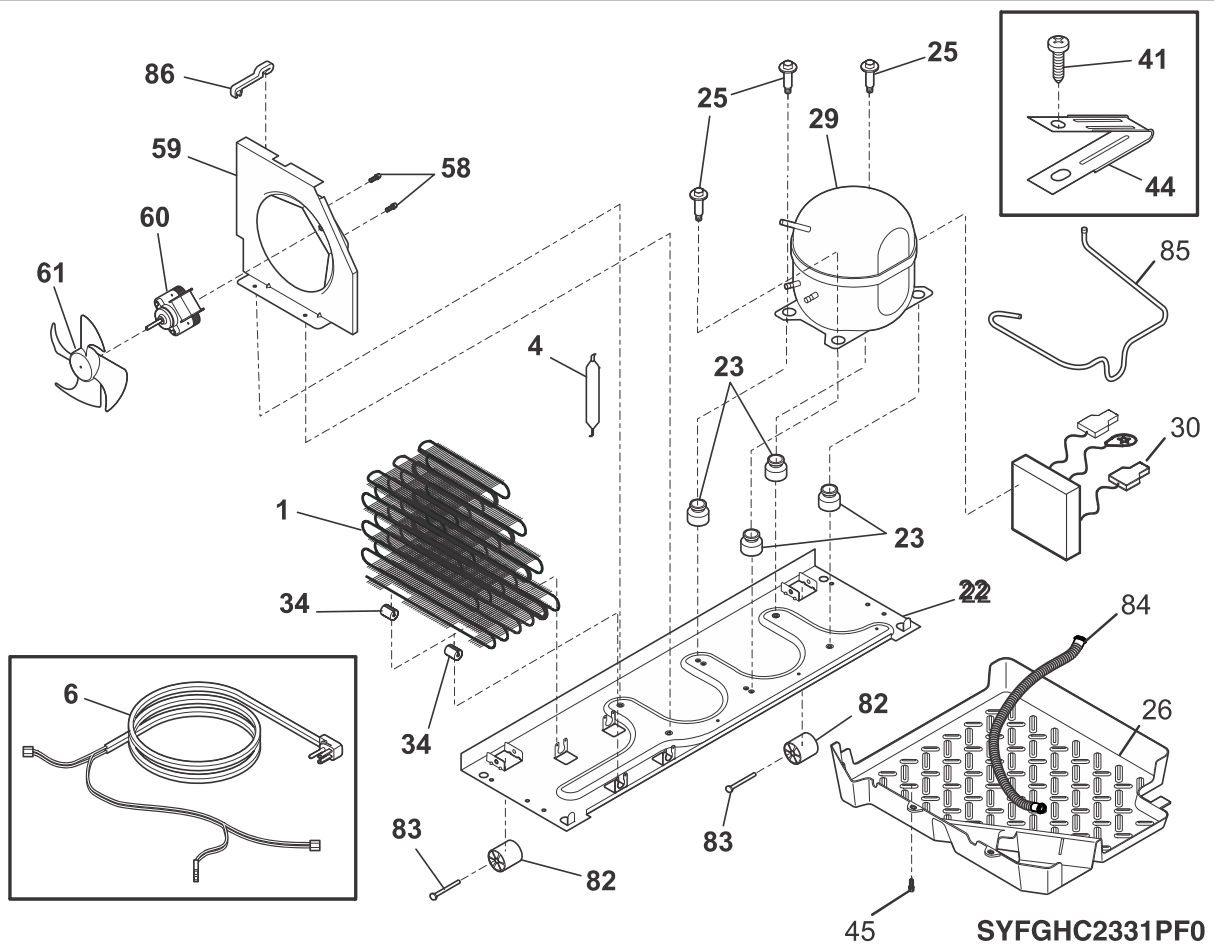
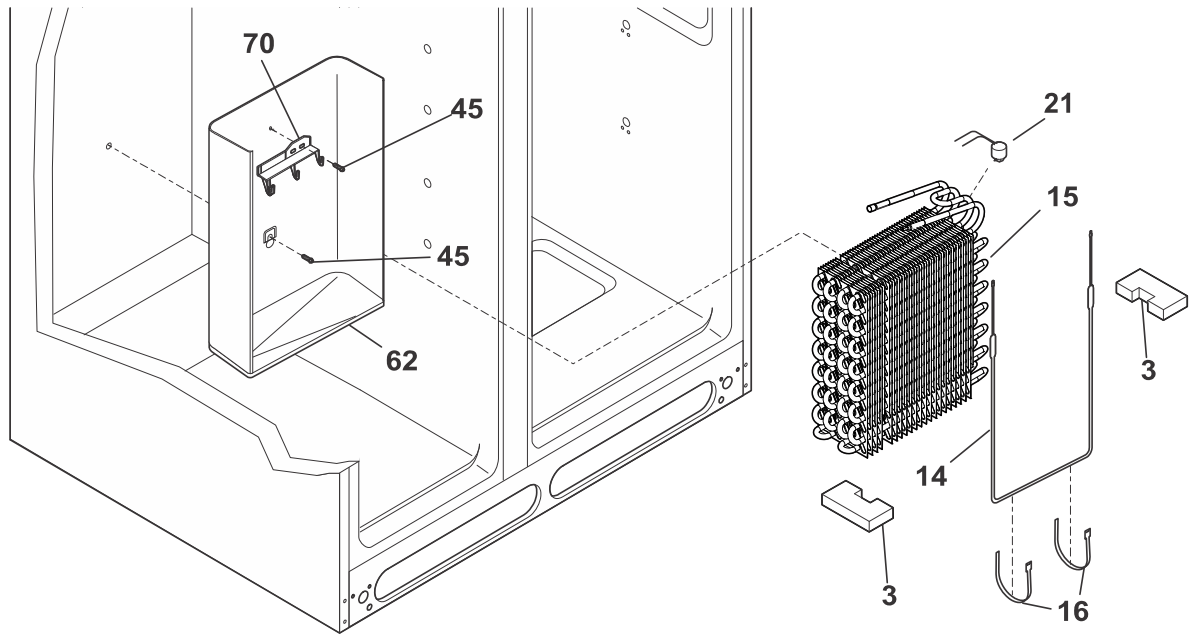


CTFGHC2331PF0

CONTROLS

POS. NO	PART NO.	DESCRIPTION
5	5308000010	Fan Blade, red, evaporator fan
8	215474201	Washer, "slinger", nylon, evap fan shaft
9	241518301	Bushing, motor mounting
13 #	242290001	Motor-blower
14	242135301	Clip, evap fan motor, evap fan motor
22 #	240597203	Sensor, temperature, 10K, NTC
23	241845401	Housing-sensor
50 #	5304498781	Board-main power
54	241532401	Channel
58	241548003	Screw, 10-32 x 3/8
60	242014301	Housing-diffuser & air filter
60*	241755501	Insulation-air duct
115	241853801	Damper Assy, w/seal
137#	242294401	Filter-water
139	242009601	Base-water filter
149	241517601	Shroud-evap fan mtg
149*	241528304	Seal, foam, evap fan assy
208	241754301	Sleeve, air filter, front
209	242047801	Filter, air
210	241983813	Housing-water filtr
210*	240363402	Screw, plask, #8-18 x .500
210A	241998302	Mount-water filter
*	241500303	Screw, hex washer head, 8-18AB x 1/2

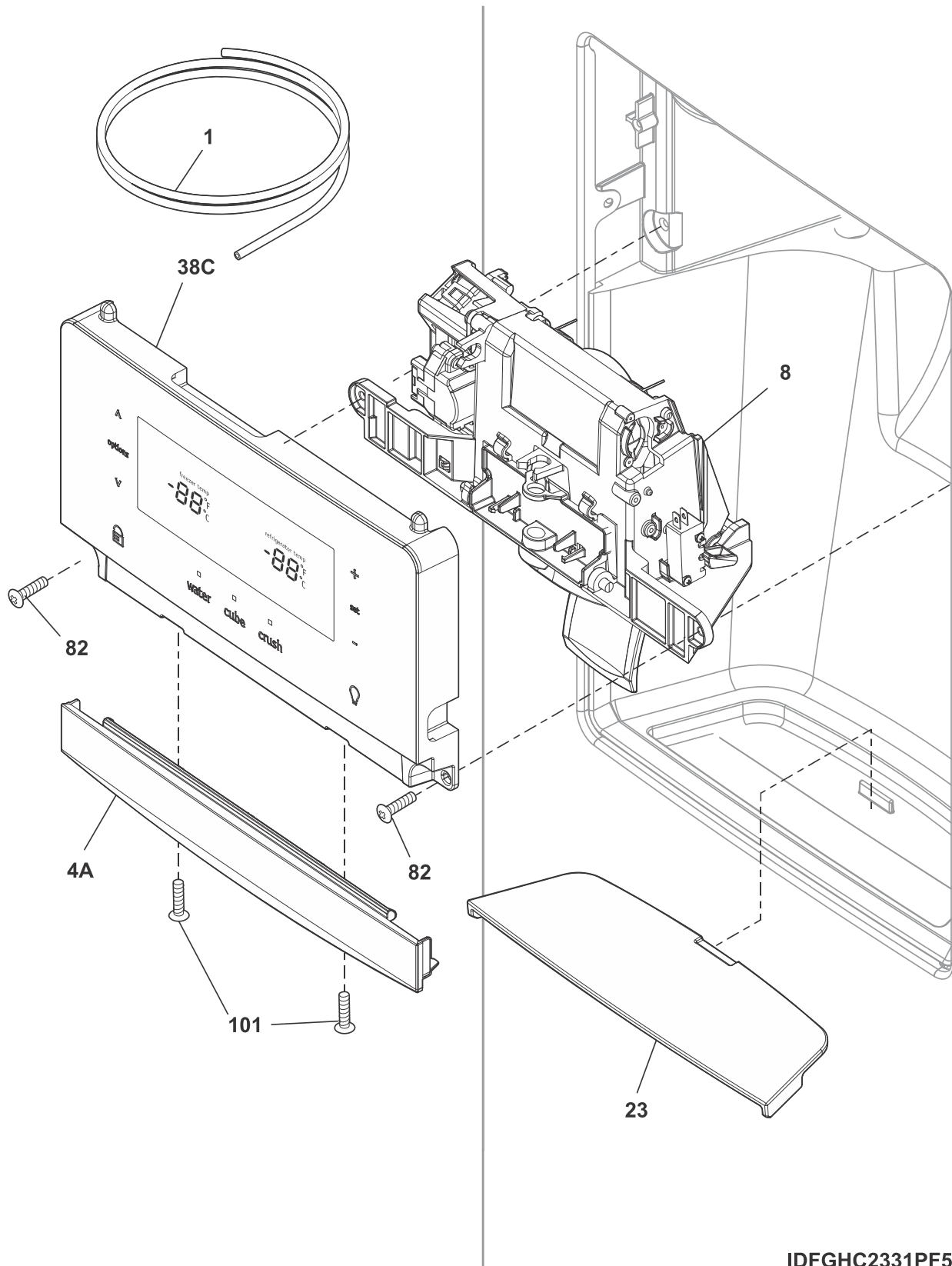
SYSTEM



SYSTEM

POS. NO	PART NO.	DESCRIPTION
1 #	242106605	Condenser
3	218679614	Block-evap coil, styrofoam, (2)
4 #	242047603	Dryer-filter
6 #	241516901	Cord-service
6* #	241519902	Harness-wiring
6* #	242141302	Harness-wiring, machine compt
14 #	242044113	Heater-defrost
15 #	5303918284	Evaporator Kit
16	5308000110	Strap-evap/heater, aluminum, (2)
21 #	5303918214	Thermostat-defrost, kit
22	240330012	Base-compressor
22*	218252201	Screw, #8 truss hd, 10-32CA x 0.500
23	218513300	Grommet-compr mtg, (4)
25	240491503	Screw-compressor mtg, 1/4-28 x 1.16, (4)
26	241697501	Pan-defrost drain
29 #	242104104	Compressor, service
30	242104302	Invertor
34	240405201	Grommet, rubber, black, cond tube/wire
41	240555002	Screw-#8-32 X 3/8
44	215174700	Clamp-service cord, strain relief, galv steel
45	5304455650	Screw, hex washer head, 8-15A x 0.625, Low Profile
58	240569201	Screw, 8-18 x 0.500
59	241946106	Shroud-cond fan
59*	240346701	Tape-foam seal, shroud
59*	240359403	Screw-fan shroud, (2)
60 #	242018301	Motor-condenser fan
61	241639501	Blade-condenser fan
62	240429405	Trough-drain
70	218990801	Bracket-evap/cvr mtg
82	5304418225	Roller, compressor base, rear, (2)
83	5304455655	Rivet, flat head, 1/4 OD x 1-3/4, roller pin
84	241830903	Tube-drain, lower
84*	242036801	Clip-tube, drain
85	241856903	Tube-connector, suction
86	240409302	Spacer-cond tube, black
*	218709101	Screw, hex head, 10-32 x 0.500
* #	5303918327	Heat Exchanger Kit, suction line

ICE & WATER DISPENSER

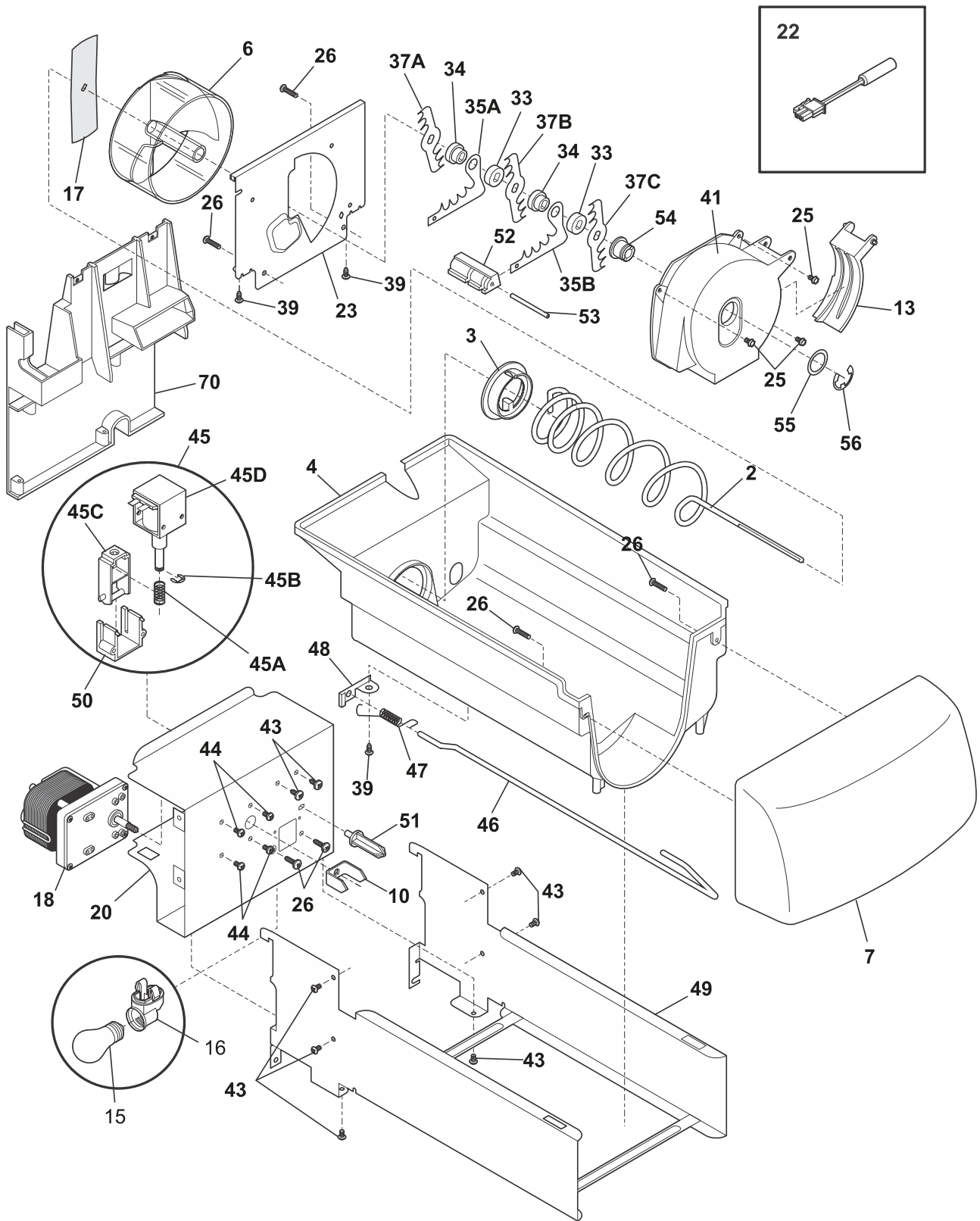


IDFGHC2331PF5

ICE & WATER DISPENSER

POS. NO	PART NO.	DESCRIPTION
1	218976438	Tube, water, 62", natural, door
1*	218976421	Tube-water inlet, valve to door
1*	218976429	Tube-water inlet, 5/16 - 97.50", brown/tan
1*	218976915	Tube-water inlet, inlet valve, to I/M inlet
1*	240561702	Seal-water inlet, inlet valve, to ice maker
1*	241796406	Tube-water fill, extension
4A	242176404	Trim, Facade, grey
8 #	242270101	Module, dispenser, clear, w/paddle
23	242176503	Sump, dispenser, grey
38C#	242058232	User Interface, assembly, grey, complete
38C*	241953907	Screw, quad hilo, #8-18 x 0.25
82	240363403	Screw, 8-18 x 0.500, 2
101	241953902	Screw, quad hilo, #8-18 X 0.380
* #	5303918371	Dispenser Heater Kit, 115, single paddle

ICE CONTAINER

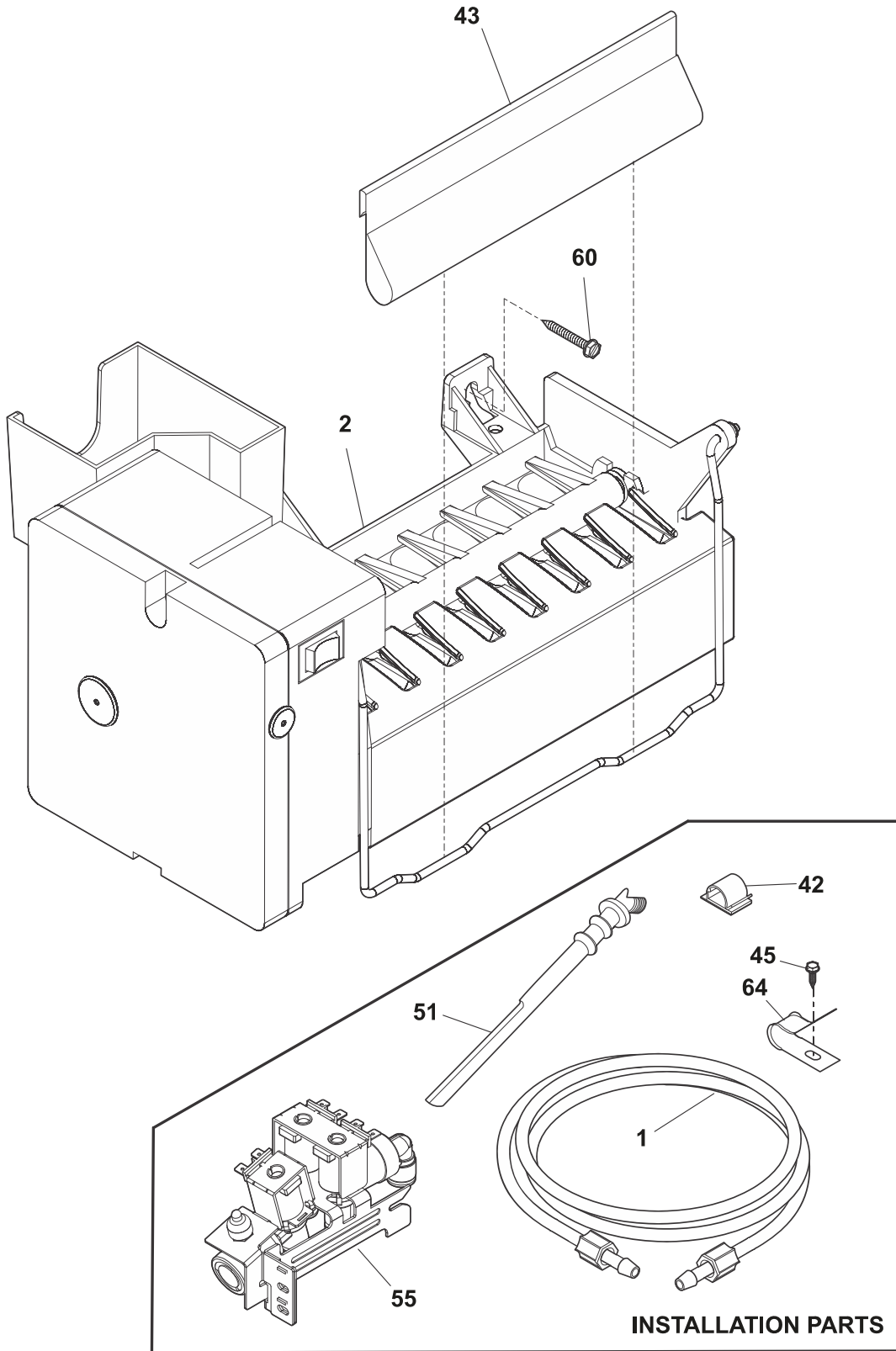


ICFGHS2631PE0

ICE CONTAINER

POS. NO	PART NO.	DESCRIPTION
2	241684701	Auger-ice
3	241685201	Cam-drive
4	241515202	Container-ice, bucket only
6	241685103	Drum-ice disp
10	241726501	Bar-drive
13	241685301	Gate
15 #	241555401	Light Bulb
16	241559801	Socket-light
17	241684501	Drive Blade
18 #	242221501	Motor-auger
18*#	241522901	Harness-wiring, icmkr/container
20	241675502	Cover-motor
22	240597203	Sensor, temperature, 10K, NTC
22*	241519401	Clip, sensor
23	241684001	Plate-front
25	241690701	Screw, hex washer head, 8-32T x 0.375
26	215503203	Screw, cr pan hd, 10-16 x 0.500
33	241684801	Spacer
34	241689801	Spacer
35A	241684301	Fixed Blade, round
35B	241684201	Fixed Blade, square
37A	241684101	Blade, crusher #1
37B	241684102	Blade, crusher #2
37C	241684103	Blade, crusher #3
39	241690501	Screw
41	241685601	Housing-crusher
43	218359202	Screw, pan head, 8-32 x 0.250
44	241842101	Screw, 8-32 x 1/4
45 #	241675704	Solenoid Assy, 115V
45A	241675902	Spring-solenoid
45B	241676001	E-Ring-solenoid
45C	241676101	Actuator-solenoid
45D#	241675803	Solenoid, 115V
46	241684402	Control Rod
47	241731801	Spring-control rod
48	241684602	Bracket-control rod
49	241676501	Rail Assy
50	241675601	Guide-solenoid
51	241676301	Rotation Stop
52	241684901	Spacer-fixed blades
53	241690402	Pin-spiral, fixed blades
54	241685001	Nut-auger
55	241690306	Washer
56	241690201	E-ring
70	241504601	Plate-mounting
70*	215005101	Screw, hanger/rlr mtg, 8-10 x 7/16
70*	241551602	Screw, hex head, 8-18B x 0.875
70*	241716801	Clip
*	218817300	Shield-light
*	240555002	Screw-#8-32 X 3/8
*	241914703	Ice Container Assy, w/moving parts

ICE MAKER

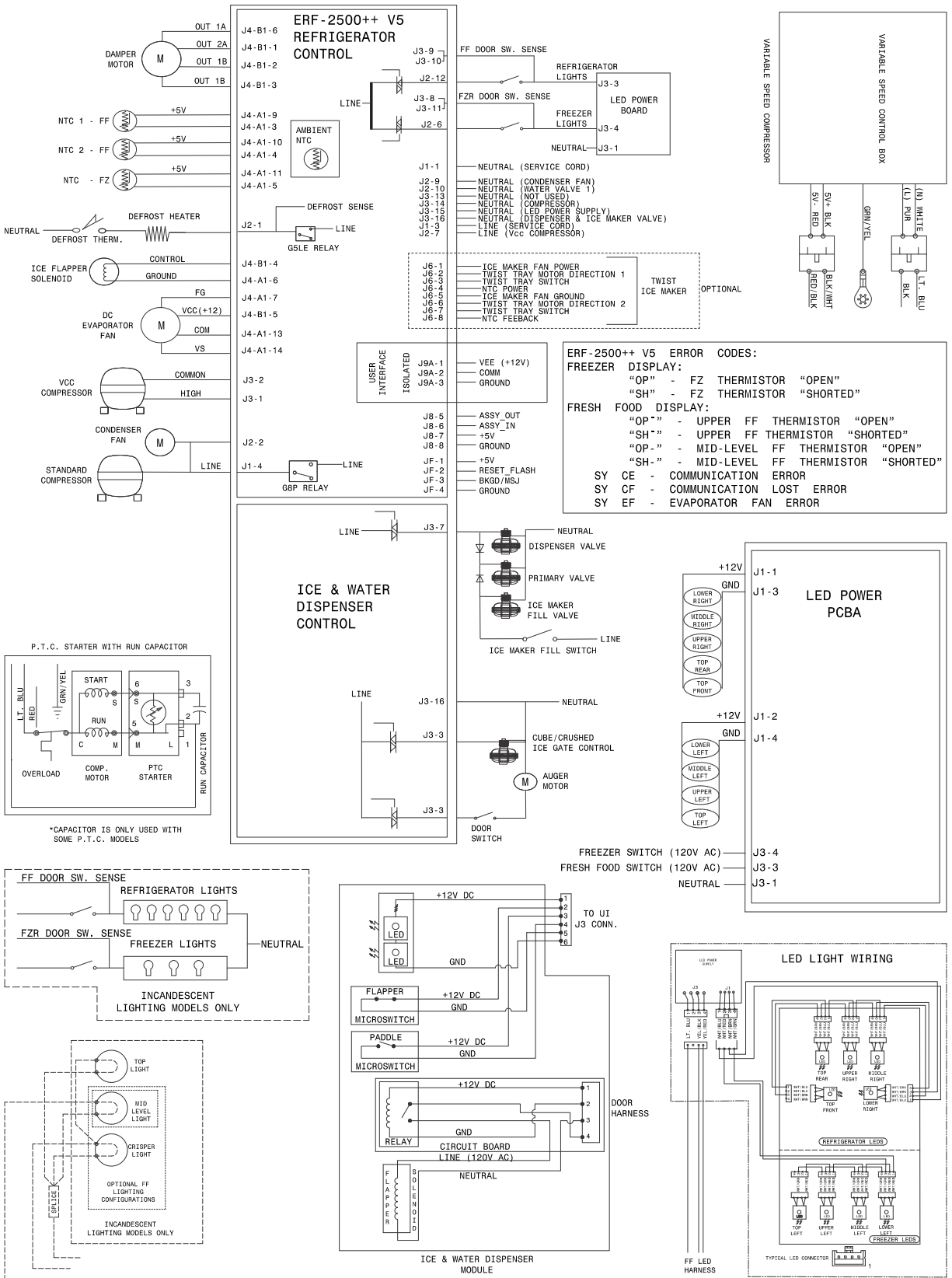


IMFFSC2323LSB

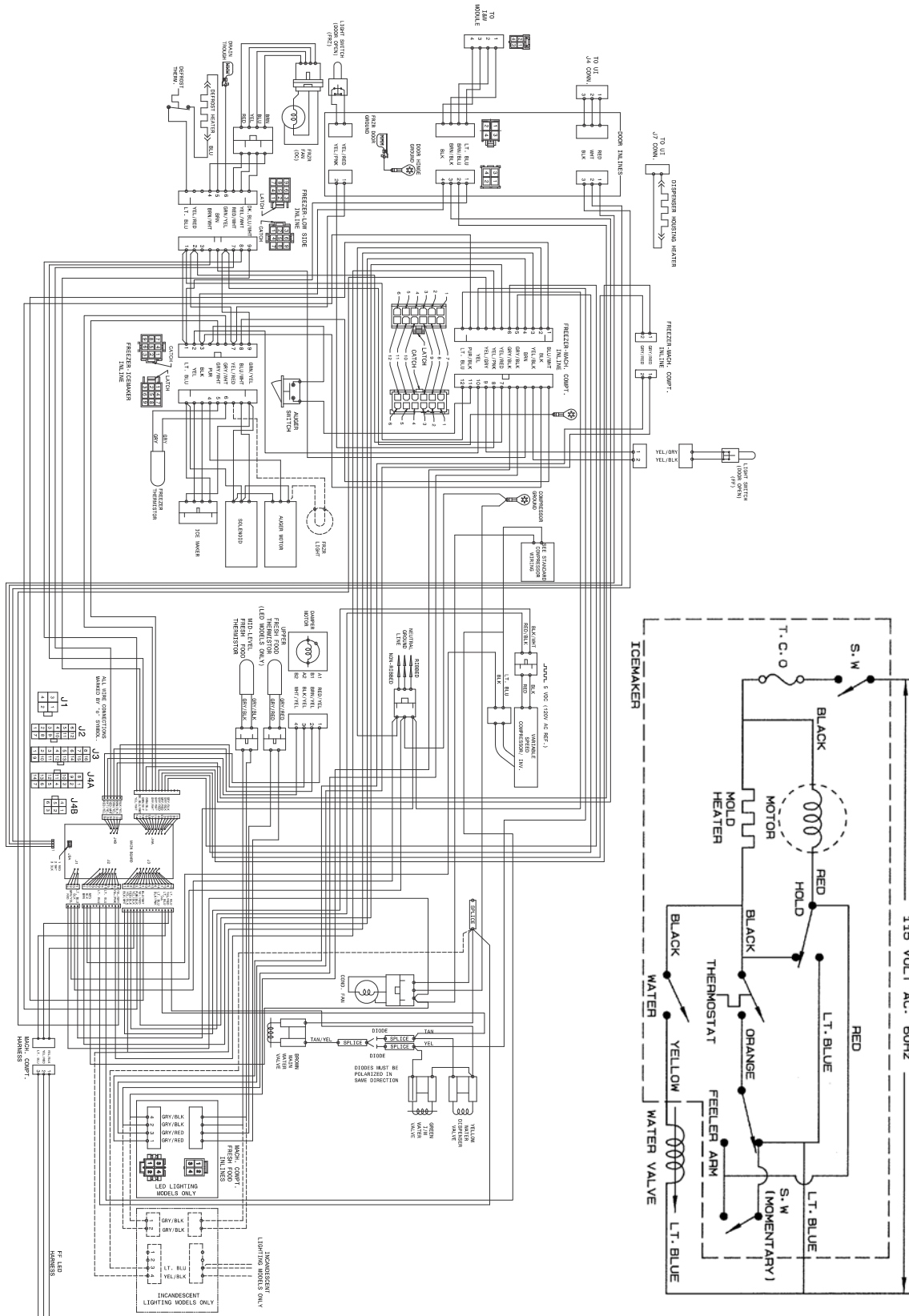
ICE MAKER

POS. NO	PART NO.	DESCRIPTION
1	218976438	Tube, water, 62", natural, door
1*	218976915	Tube-water inlet, inlet valve, to I/M inlet
42	218515403	Clip-grille
45	241500303	Screw, hex washer head, 8-18AB x 1/2
51	241796406	Tube-water fill, extension
55 #	242252702	Valve, solenoid, triple
55*	218709101	Screw, hex head, 10-32 x 0.500
55*	240363602	Screw-shoulder
60	218362501	Screw, hex washer head, 8-18AB x 1.250, spacer, (2)
64	5303001549	Clamp, 0.31 ID, steel, copper wtr line

WIRING SCHEMATIC



WIRING DIAGRAM



Functional Parts
 * Non-Illustrated Parts